

**PART NUMBER**

68540-70  
Orig. 7-69

**INSTRUCTIONS****HARLEY-DAVIDSON****GENUINE PARTS  
AND ACCESSORIES**HAZARD WARNING FLASHER KIT/SPORTSTER

1. Bracket assembly, switch and flasher.
2. Flasher.
3. Wire, key switch to flasher (orange).
4. Cable, flasher switch to flasher (blue).
5. Wire, flasher switch to terminal board No. 3 (violet).
6. Wire, flasher switch to terminal board No. 4 (brown).
7. Cable, flasher switch to direction signal switch (violet and brown).
8. Connector between flasher switch cable and direction switch cable (2).

Disconnect battery ground wire. Remove seat.

Attach bracket assembly and switch (1) to left coil bracket mounting bolt under seat with switch pointing to front of motorcycle.

Snap flasher (2) into bracket (1). Install orange wire (3) between flasher "X" terminal and ignition switch "B" terminal.

Install blue cable (4) between flasher "L" terminal and flasher switch.

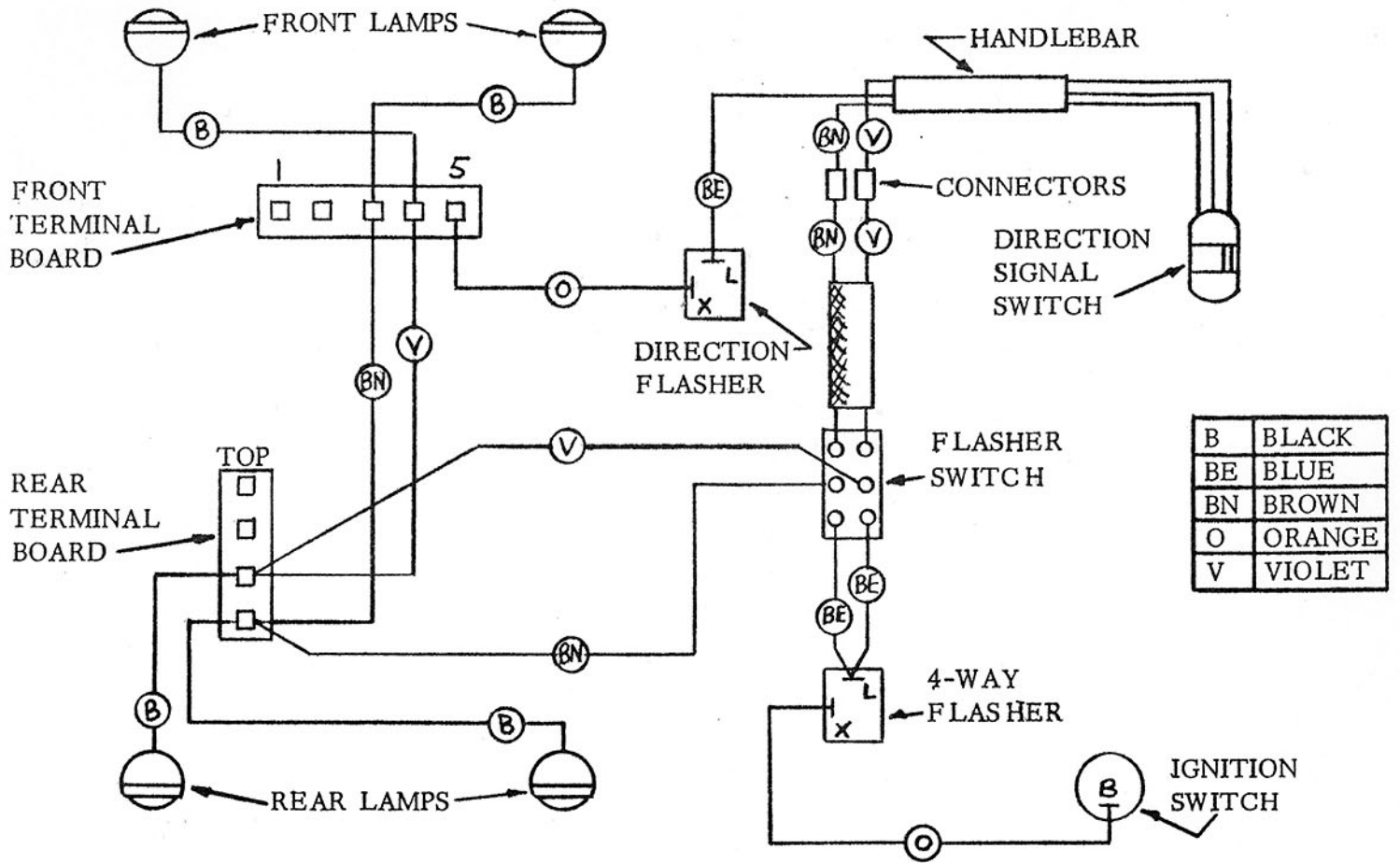
Install violet wire (5) between flasher switch and rear terminal board No. 3 and install brown wire (6) between flasher switch and rear terminal board No. 4.

Attach cable (7) violet and brown wires (7) to flasher switch. Route forward along frame, beneath gas tank and along left side of frame head above front tank bracket.

Remove direction signal switch brown wire from front terminal board No. 3 and violet wire from No. 4. Cut off the wire terminals and connect to matching wires from flasher switch with connectors (8).

Reconnect battery ground wire and seat.

(OVER)



WIRING DIAGRAM

Harley-Davidson, Inc. has given us permission to provide this document on our website for the sole purpose of helping us restore our motorcycles.

Harley-Davidson, Inc. retains copyright over these materials, and NO reproduction or other use of these materials is permitted without prior authorization from Harley-Davidson, Inc.

The **Old Sportster and K-model Research Group (OSKRG)** is a group of individuals who have spent years researching the minute differences in the parts, fit, finish, and configuration of the Harley-Davidson 1952-1956 K-Models, and (early) 1957-1969 Sportster models.

The results of our research is published on our website  
**[www.harleyKmodel.com](http://www.harleyKmodel.com)**